

CLARKE®

STRONG-ARM



TELESCOPIC BOTTLE JACK

MODEL NO: CBJ2B,3B,5B,8B,10B,12B,15B & 20B

PART NO: 7620006,7620008,7620012,7620022,7620027,7620032,7620034 & 7620037

OPERATION AND MAINTENANCE INSTRUCTIONS



ORIGINAL INSTRUCTIONS

GC0519 - rev 5

INTRODUCTION

Thank you for purchasing this CLARKE Bottle Jack.

Before attempting to use this product, please read this manual thoroughly and follow the instructions carefully. In doing so you will ensure the safety of yourself and that of others around you, and you can look forward to your purchase giving you long and satisfactory service. Keep these instructions for future reference.

SPECIFICATIONS

	CBJ2B	CBJ3B	CBJ5B	CBJ8B	CBJ10B	CBJ12B	CBJ15B	CBJ20B
Rated Load (tonnes)	2	3	5	8	10	12	15	20
Min Height of saddle (mm)	140	168	185	190	195	200	205	217
Max Height of saddle (mm)	260	326	355	365	375	380	390	407
Oil capacity	0.65L	0.13L	0.175L	0.22L	0.255L	0.3L	0.34L	0.44L
Dimensions (L x W x H) mm	89 X 95 X 135	92 X 100 X 180	96 X 110 X 185	103 X 118 X 190	110 X 123 X 195	116 X 136 X 200	133 X 136 X 205	144 X 150 X 217
Handle length (mm)	368	457	457	457	457	496	496	495
Weight (kg)	2.4	3.1	4.1	4.9	5.7	6.6	7.7	9.8

SAFETY PRECAUTIONS

1. Do not exceed the rated capacity of the jack.
2. Do not allow personnel to operate the jack unless they have read these safety precautions.
3. Do not operate the jack if damaged.
4. Use the jack in a suitable, well lit work area.
5. Keep the work area clean and tidy and free from unrelated items.
6. Only use the jack on firm, level and solid ground, preferably concrete. Avoid soft/unmade ground as the jack may sink in. or move.
7. Ensure non-essential persons keep a safe distance whilst the jack is in use.
8. Ensure there are no personnel or obstructions under the vehicle before lowering.
9. Do not work under the vehicle until it is fully supported by axle stands.
10. Keep hands etc clear of the vehicle until lifting is complete.
11. Ensure that you can see the saddle and jacking point throughout the jacking operation in case there is any relative movement.
12. Always ensure that the jack saddle is centred and stable on the lifting point before lifting and position the jack to avoid operating it from under the vehicle.
13. Check the vehicle weight and recommended lifting points by referring to the vehicle owners manual. Ensure the lifting point is not corroded.
14. Never tamper with the jack or modify it in any way, as this could prove to be dangerous and will invalidate the guarantee. Only use the jack for the purpose for which it is intended.
15. Use appropriate safety equipment, such as protective footwear, when using this jack.
16. Ensure that the jack is properly maintained and lubricated at all times, and that no corrosion is allowed to weaken any part of it.
17. If the jack has been subjected to an abnormal load or shock, it should be removed from service immediately and fully inspected by qualified personnel, and passed as serviceable, before being used again.
18. When not in use, store the jack, fully lowered, in a safe, dry, childproof area.
19. Always inspect the jack before use. Ensure that all parts are in good condition and operating smoothly, and that no cracks or distortion is apparent. If in doubt do not use.

20. Never push a vehicle off the jack or start the engine while supported only by the jack.
21. Do not use if an oil leak is apparent. Consult the Clarke Service Department.
22. If more than one jack is used in unison, they must all be of the same rating and be raised at the same speed/height to reduce the possibility of the load slipping.

SAFETY SYMBOLS

The following safety symbols may be found on the product.



Read the user manual before use.

LIFTING OPERATIONS AND LIFTING EQUIPMENT REGULATIONS 1998

This jack, depending on use, may fall within the scope of LOLER. It is the owner's responsibility to determine whether or not it does and, if so, to comply with any applicable requirements in LOLER, for having the jack thoroughly examined.

ENVIRONMENTAL PROTECTION

1. Take care to ensure that if hydraulic oil is spilt that it is cleaned away using sand or treated with absorbent granules designed for the purpose.
2. Always make every effort to contain any spillage and prevent ingress into the local water course.

GUARANTEE

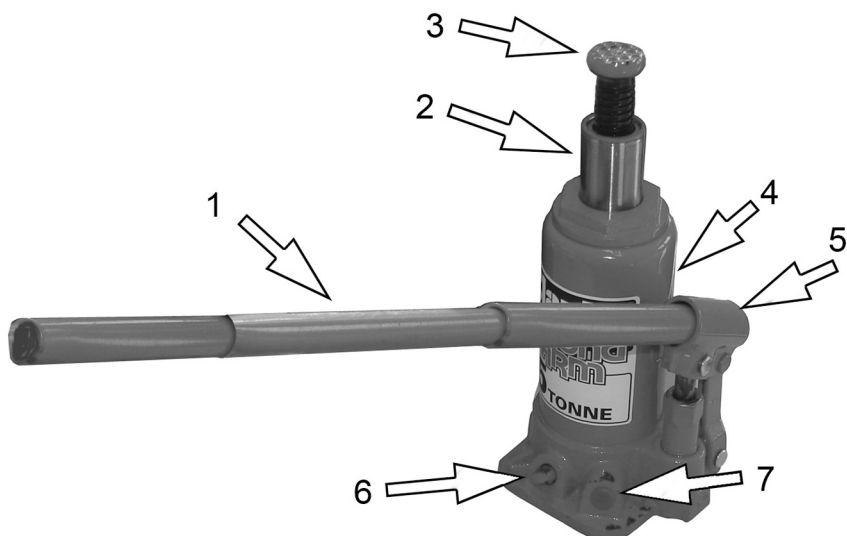
This product is guaranteed against faulty manufacture for a period of 12 months from the date of purchase. Please keep your receipt which will be required as proof of purchase.

This guarantee is invalid if the product is found to have been abused or tampered with in any way, or not used for the purpose for which it was intended.

Faulty goods should be returned to their place of purchase, no product can be returned to us without prior permission.

This guarantee does not effect your statutory rights

PRODUCT FEATURES



(CBJ5B shown)

1	Handle Tubes
2	Ram
3	Screw Extension
4	Oil Filler Plug
5	Actuating Lever
6	Release Valve
7	Safety Valve (non-adjustable)

UNPACKING

During transit or storage, it is possible that an air pocket may have developed within the hydraulic ram, and the ram action may therefore appear to be 'spongy'. In this case the jack may require purging as described on page 8.

If the ram does not reach its full height, the oil level may require topping up, as described in the Maintenance section.

OPERATION



WARNING: ENSURE THE SAFETY PRECAUTIONS ARE STRICTLY FOLLOWED. NO RESPONSIBILITY CAN BE ACCEPTED FOR INCORRECT USE OF THE JACK

RAISING A VEHICLE

1. Ensure the vehicle is stable and is on firm level ground with the wheels chocked before positioning the jack so that is directly beneath the lifting point. **DO NOT** rely upon the vehicle handbrake alone to prevent vehicle movement.
2. Ensure the jack is on solid ground. If not, place a suitable piece of solid wood of sufficient size to provide adequate support beneath the jack.
3. Consult the vehicle owners manual to ascertain the location of suitable jacking points and position the jack beneath the designated lifting point.
4. Locate the oval end of the jack handle on to the release valve and turn fully clockwise to close the valve.
5. Set the screw extension in contact with the lifting point. Pump the handle and raise the ram so that the jack and lifting point are in full contact. Before proceeding further, make one final check to ensure that:
 - the jack is completely vertical and stable.
 - there are no obstructions to the lift and that the handle can move freely up and down.
 - all personnel are in a safe position, well away from the underneath of the vehicle.
6. When satisfied, continue to pump the handle and lift the load to the height required.
7. Never allow anyone to get beneath the load until it is firmly supported on suitable, properly rated axle stands.

LOWERING THE VEHICLE



WARNING: ALWAYS LOWER IN A SLOW AND CONTROLLED MANNER, AND CHECK THAT THERE ARE NO OBSTACLES IN THE PATH OF THE LOAD'S DESCENT. BE EXTREMELY CAREFUL WHEN LOWERING HEAVY LOADS.

1. The lowering speed is controlled by the amount you turn the release valve. With the axle stands removed, check to ensure that there are no personnel

in the immediate vicinity before removing the handle from its housing, and engaging it with the release valve.

2. Very slowly turn the handle anticlockwise to open the release valve, and allow the jack to lower the load, under complete control. NEVER, under any circumstances, jerk the valve open.

MAINTENANCE

IMPORTANT: Only fully qualified personnel should attempt to repair the jack.

INSPECTION

1. Always visually inspect the jack before use, to ensure that all parts are correctly located and secure. Check for hydraulic leaks, signs of damage or worn parts. **Do not use the jack unless it is perfectly serviceable.**
 - A slight dampness on the ram is normal, but where leakage is found, the ram seals must be renewed by your Clarke Service Department.
2. The jack should be fully inspected annually as follows:
 - Check for cracks and deformation of components.
 - Check operation and top up the oil level. (see below).
 - Remove completely, any rust or corrosion and repaint to prevent further corrosion..
3. After use, store the jack with the ram in its lowest position. This not only relieves the hydraulic ram, but also prevents any possibility of corrosion to the ram.
4. Do not leave the jack in the open, exposed to the weather. Keep under cover. If stored for long periods, inspect before use, clean, and re-oil. For servicing, contact your CLARKE dealer or CLARKE Service dept.

TOPPING UP THE OIL

It may be necessary from time to time to top up the hydraulic oil level. Proceed as follows.

1. Turn the release valve anti-clockwise and allow the ram to retract to its lowest position.
 - It may be necessary to apply force to the saddle for lowering without any weight on the jack.
2. With the jack in the level position, remove the filler plug and stand upright.
 - The oil should be level with the bottom of the oil filler hole.
3. If below this, top up.

4. Do not overfill. Only use the correct type of oil such as Clarke hydraulic oil (part number 3050830).
5. Replace the filler plug.
6. Check the jack for correct operation and purge any air from the system as described below.

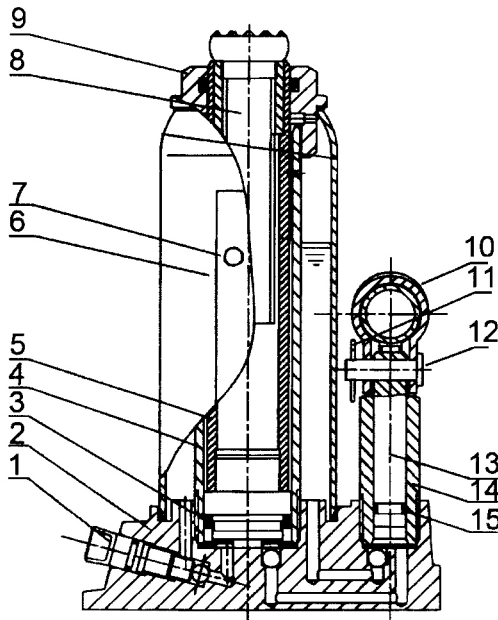
PURGING AIR FROM THE JACK

1. Turn the release valve counterclockwise one full turn to open.
2. Pump the handle eight full strokes.
3. Turn the release valve clockwise to close the valve.
4. Pump the handle until the ram reaches maximum height and continue to pump several times to remove trapped air.
5. Turn the release valve counterclockwise one full turn and lower the ram to its lowest position. Apply pressure if necessary.
6. Turn the release valve clockwise to the closed position and check for correct operation. It may be necessary to perform the procedure more than once to evacuate all the air.

TROUBLESHOOTING

Problem	Check	Solution
Jack will not lift to full height	Low oil level	Check oil level
Jack will not hold load	Release valve not closing Hydraulic oil contaminated Pump valves not sealing Cylinder ram binding	Contact Clarke Service Department
Jack piston will not lower	Cylinder ram binding Parts worn Internal damage Lift arm linkage bent or binding	Contact Clarke Service Department
Jack feels spongy when lifting	See Air Purging section	See air purging procedure above

COMPONENT PARTS



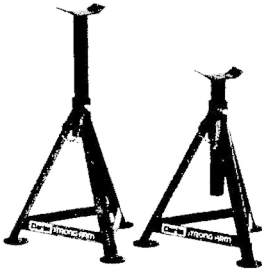
No	Description
1	Release valve assembly
2	Base Casting
3	O-ring
4	Hydraulic Cylinder
5	Piston
6	Oil Reservoir
7	Filler Plug
8	Extension Screw

No	Description
9	Top Cap
10	Actuating Arm
11	Spring Clip
12	Hinge Pin
13	Pump Plunger
14	Pump Body
15	O-ring

Please contact the Clarke Spares Department for availability of seal kits, handle or other component parts.

ALSO AVAILABLE FROM CLARKE

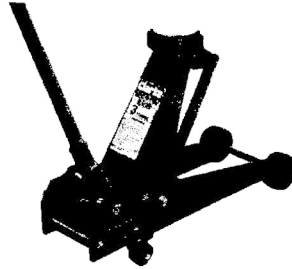
3 TON AXLE STANDS



- Supplied in pairs
- Fitted with ratchet action for quick adjustment

Part No.7600015

CTJ3000G TROLLEY JACK



- Automatic overload protection
- Heavy duty wheels & castors
- Long handle with twist/release
- Heavy gauge construction

Part No.7623030

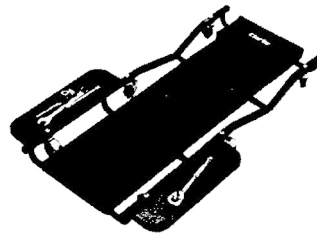
CIR220 CORDLESS IMPACT WRENCH



- 24V, 1300mAh NiCd batteries
- 1/2" square drive
- Max torque 220Nm
- 2700 impacts/min
- Max bolt dia M14

Part No.4500635

CMC40 CAR CREEPER



- Powder coated finish
- Vinyl covered back/headrest
- Six swivel castors
- Twin storage trays

Part No.7630189

DECLARATION OF CONFORMITY



Clarke[®]
INTERNATIONAL

Hemnall Street, Epping, Essex CM16 4LG

DECLARATION OF CONFORMITY

This is an important document and should be retained.

We hereby declare that this product(s) complies with the following directive(s):

2006/42/EC Machinery Directive.

The following standards have been applied to the product(s):

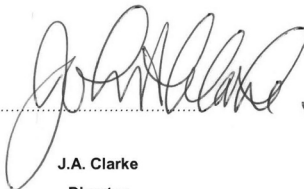
EN 1494:2000 +A1:2008

The technical documentation required to demonstrate that the product(s) meet(s) the requirement(s) of the aforementioned directive(s) has been compiled and is available for inspection by the relevant enforcement authorities.

The CE mark was first applied in: 2010

Product Description:	Bottle Jack(s)
Model number(s):	CBJ2B, CBJ3B, CBJ5B, CBJ8B, CBJ10B, CBJ12B, CBJ15B, CBJ20B
Serial / batch Number:	N/A
Date of Issue:	03/02/2015

Signed:



J.A. Clarke
Director

A SELECTION FROM THE VAST RANGE OF

Clarke®

QUALITY PRODUCTS

AIR COMPRESSORS

From DIY to industrial, Plus air tools, spray guns and accessories.

GENERATORS

Prime duty or emergency standby for business, home and leisure.

POWER WASHERS

Hot and cold, electric and engine driven - we have what you need

WELDERS

Mig, Arc, Tig and Spot. From DIY to auto/industrial.

METALWORKING

Drills, grinders and saws for DIY and professional use.

WOODWORKING

Saws, sanders, lathes, mortisers and dust extraction.

HYDRAULICS

Cranes, body repair kits, transmission jacks for all types of workshop use.

WATER PUMPS

Submersible, electric and engine driven for DIY, agriculture and industry.

POWERTOOLS

Angle grinders, cordless drill sets, saws and sanders.

STARTERS/CHARGERS

All sizes for car and commercial use.



PARTS & SERVICE: 0208 988 7400

E-mail: Parts@clarkeinternational.com or Service@clarkeinternational.com

SALES: UK 01992 565333 or Export 00 44 (0)1992 565335

Clarke® INTERNATIONAL Hemnall Street, Epping, Essex CM16 4LG
www.clarkeinternational.com